

## SG20

### High-Performance Healthcare Scanner

The Honeywell SG20 High-Performance Healthcare Scanner features responsive and reliable performance to help eliminate errors and improve patient care. Whether at the admitting desk, nurses' station, patient bedside, lab or pharmacy – the SG20 scanner minimizes the time and effort to read a barcode, improving productivity while helping complete important verification processes.

Scanners have long been the de facto data capture device for healthcare, but are often slow, unreliable and not well-suited to this environment. The SG20 scanner is built to excel in the hospital, with industry-leading omnidirectional 2D barcode reading speed and technology and more motion tolerance than competing devices. All common 1D and 2D barcodes can be scanned easily and consistently at almost any orientation without time-consuming item repositioning or disturbance to resting patients.

A variety of communication options make the transition to automatic barcode data capture fast and easy. Connecting to your existing infrastructure is easy with support for USB, RS-232 and keyboard wedge cable interfaces – as well as optional Bluetooth® wireless connectivity.

Healthcare scanners are often used at the point of care where infection control is crucial. The disinfectant-ready housing of the SG20 scanner, when combined with a protocol of frequent disinfecting, can minimize the spread of infectious diseases while providing years of reliable service under these conditions.

The SG20 family includes the option of either a Bluetooth wireless or tethered (cabled) scanner, and a choice between



*Designed to meet the needs of healthcare, the SG20 scanner helps you consistently meet patient safety standards.*

high-performance scan engines with laser or LED aimers – perfect for patient-facing applications. This makes it possible to standardize on a single scanner family across your healthcare operation while providing just the right model for your needs.

The SG20 is enclosed in an all-white housing to match the clean aesthetic appearance of most hospital environments. In addition, the arching profile of the SG20 is perfect for tight spaces, and the large multi-color LED can be customized to match the color of your décor or brand.

## FEATURES & BENEFITS



Compatible with most healthcare information management systems, iOS and Android™ devices, and PCs.



Features industry-leading omnidirectional 2D barcode reading speed and technology for highly responsive scanning.



Distinctive, ergonomic styling maximizes comfort and saves countertop space.



White scanner housing made of disinfectant-ready material.



Large LED indicator provides effective visual operational feedback.

# SG20 Technical Specifications

## PHYSICAL CHARACTERISTICS

**Dimensions (L x W x H):** 20 x 6.1 x 6.5 cm (7.9 x 2.4 x 2.6 in)

**Weight:** SG20T: 125 g (4.41 oz)  
SG20B: 175 g (6.17 oz)

## ELECTRICAL

**Battery:** Lithium-ion rechargeable (1567 mAh)

**Battery Life:** 8K scans from 70% capacity

**Battery Recharge Cycle:** 3 hours when connected to external power supply; 6 hours when slow charged from typical USB port

## TYPICAL POWER CONSUMPTION

**Tethered (Corded) Versions @5V DC:** 330mA

**Wireless Versions (Base Station):** 0.5A maximum

## BLUETOOTH RADIO

**Type:** Bluetooth Class 2 v2.1+EDR

**Range:** 10 m (32.8 ft)

**Features:** Adaptive Frequency Hopping (AFH)

## CONNECTIVITY

- USB: HID Keyboard (with Apple® iOS Support), HID POS\*, IBM SurePOS\*, virtual communications port
  - PC keyboard wedge
  - RS-232
- \* Tethered (corded) versions

## SCAN TECHNOLOGY

Honeywell Area Imager, Laser Aimer (EA30)

Honeywell Area Imager, LED Aimer (EA31)

## SCAN PERFORMANCE

**Minimum Code Resolution:** 1D Codes: 4 mils  
2D Codes: 6.6 mils

**Minimum Print Contrast:** 20%

**Motion Tolerance:** SG20xHP: 12.7 m/s (500 in)  
SG20x2D: 10.16 m/s (400 in)

## BARCODE SYMBOLOGIES SUPPORTED

**1D:** Codabar, Code 11, Code 39, Code 93/93i, Code 128 / GS1-128, EAN/UPC, GS1 DataBar Limited, GS1 Composite (linear only), GS1 DataBar Expanded, GS1 DataBar Omnidirectional, Interleaved 2 of 5, Matrix 2 of 5, MSI, Plessey, Standard 2 of 5, Telepen

**2D:** Australian Post, Aztec, BPO, Canada Post, Codablock A, Codablock F, DataMatrix, Dutch Post, EAN/UPC, GS1 Composite, GS1 DataBar Stacked, Infomail, Intelligent Mail, Japan Post, Maxicode, Micro PDF417, Multicode, PDF417, Planet, Postnet, QR Code, Sweden Post, TLC 39

## TEMPERATURE AND ENVIRONMENTAL

**Operating Temperature:** 0°C to 50°C (32°F to 122°F)

**Storage Temperature:** -20°C to 60°C (-4°F to 140°F)

**Relative Humidity:** 5% to 95% non-condensing  
**Drop:** 1 m (3.4 ft) to concrete

**Environmental Rating:** IP30

**Ambient Light:** 0 to 100,000 lux

## ELECTROMAGNETIC EMISSIONS

Meets the requirements of the following product emission standards:

*United States:* FCC Part 15 Class B

*Canada:* Industry Canada ICES-003 Class B

*European Union:* EN 55022: CISPR 22 Class B

## ENVIRONMENTAL COMPLIANCE

Conforms to environmental compliance requirements for RoHS, China RoHS, WEEE and REACH

## APPROVED DISINFECTANTS

CaviCide (Metrex); CidexPlus (Johnson & Johnson); Clorox; MadaCide-1 (MadaMedicalProduct); Super Sani-Cloth (PDI); Viraguard (Veridien)

## INDUSTRY APPROVALS

Healthcare: Cerner (Certified), McKesson (Certified)

## REGULATORY APPROVALS

UL; CE Mark (EU); NOM (Mexico); C-TICK (Australia and New Zealand); SRRS (China); IDA (Singapore); ANATEL (Brazil); Industry Canada ICES-003 Class B (Canada)

## STANDARD WARRANTY

**Tethered Models (SG20T):** 5 years

**Wireless Models (SG20B):** 3 years

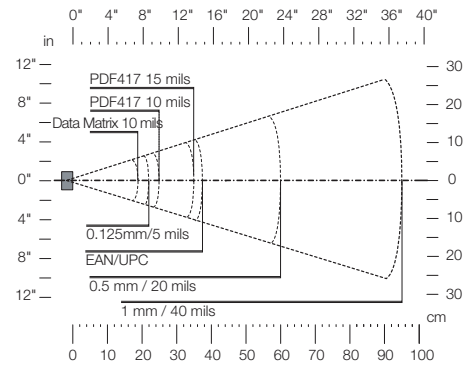
Extended protection available with Honeywell Repair Services – for more information, visit [www.honeywellaidc.com](http://www.honeywellaidc.com)

## ACCESSORIES

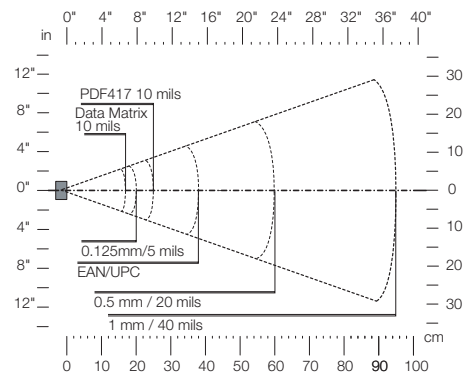
Consult the SG20 Accessory Guide for details.

## TYPICAL READING DISTANCES\*

### SG20xHP



### SG20x2D



\* The reading distances for each scanner are typical distances measured from the front end of the scanner bezel in an office environment (200 lux) with extended reading range activated.

For a complete listing of all compliance approvals and certifications, please visit [www.honeywellaidc.com/compliance](http://www.honeywellaidc.com/compliance).

For a complete listing of all supported bar code symbologies, please visit [www.honeywellaidc.com/symbologies](http://www.honeywellaidc.com/symbologies).

Bluetooth is a trademark or registered trademark in the US and/or other countries of Bluetooth SIG, Inc.

Android is a trademark or registered trademark in the US and/or other countries of Google, Inc.

Apple is a trademark or registered trademark in the US and/or other countries of Apple Inc.

## Honeywell Scanning & Mobility

9680 Old Bailes Road

Fort Mill, SC 29707

800-582-4263

[www.honeywell.com](http://www.honeywell.com)

SG20HC-DS Rev E 08/15

© 2015 Honeywell International Inc.



**Honeywell**