



HI-CORE



HI-CORE



The HI-Core cart line is the innovative blending of convenience, customization, quality engineering, and affordability. Lightweight and easy to maneuver, this ergonomically designed line of carts sets the standard for mobility in point-of-care. All HI-Core carts can be easily configured as powered or non-powered.

FEATURES

- Small, lightweight cart with a simple streamlined design
- Multiple accessory options available
- Spacious worksurface area (21.1" x 17.6")
- Convenient push handles integrated into the front of the worksurface
- All HI-Core carts can be configured to be powered or non-powered
- Cable management equipment and power bricks stowed under flip up worksurface
- Gas assist worksurface height adjustment (32.9" sitting to 44.9" standing)
- Lift assist button conveniently located on right side of cart
- Keyboard tray with mouse tray and wrist rest option available for all cart versions
- Single point of charge kit includes: fused AC inlet, 8ft hospital grade coiled power cord, and AC power distribution with 3 receptacles for powering customer equipment
- Two-tiers of configurable storage options: (2) single-tier drawers, (1) 2-tier drawer, or (1) single-tier and (1) hangdown drawer
- Storage security options include: non-locking, keyed lock, or electronic keypad lock
- (4) 5" dual wheel premium casters (2 locking casters on front)
- Optional steering caster with manual activation
- Available with multiple power options that you can choose from to best fit your workflow, including Howard Powermax 150 or a hot-swappable power system
- Meets UL and CE standards





HI-CORE
TABLET CART



HI-CORE
NOTEBOOK CART



HI-CORE
ALL-IN-ONE CART



HI-CORE
LCD CART

multiple power, storage, and accessory options available

some carts shown are not standard configurations/see separate detail documents for all options



SPECIFICATIONS



HI-CORE TABLET CART

As more applications support tablet usage, the HI-Core Tablet cart configuration provides an ideal platform for mobility, with support for a variety of tablets.

- Lockable, universal tablet mount supports tablets with screen sizes ranging from 7.9" - 13", including Apple iPad Pro, iPad mini, Microsoft Surface and Samsung Galaxy
- Key lock secures tablet in mount
- Tablet mount includes tilt, swivel, rotate, and height adjustments

| HI-CORE | | | | |
|------------------------|------|----------|----------|-------------|
| | | LCD Cart | AIO Cart | Tablet Cart |
| LCD Height (in) | Min | 10.3 | 10.3 | 10.3 |
| | Max | 15.1 | 15.1 | 15.1 |
| LCD Height Adj. (in) | | 4.8 | 4.8 | 4.8 |
| LCD Tilt Angle (deg) | Down | 15° | 15° | 15° |
| | Up | 60.0 | 60.0 | 60.0 |
| LCD Swivel Angle (deg) | | +/- 45° | +/- 45° | +/- 45° |



HI-CORE NOTEBOOK CART

The HI-Core Notebook cart's notebook can be secured on top or placed underneath the worksurface.

| NOTEBOOK CART | | |
|-----------------------|--------|------|
| Notebook Support (in) | Width | 15.6 |
| | Depth | 12.3 |
| | Height | 1.4 |



HI-CORE LCD CART

The HI-Core LCD Cart configuration is a traditional point-of-care cart setup for LCD screens with a small form factor personal computer.

- LCD carts are compatible with Small-Form Factor PCs up to 14" W x 7" D x 2.85" H
- PC, cables, and power bricks stowed under flip-up worksurface
- VESA monitor mount has tilt, swivel, rotate, and height adjustment

| HI-CORE | |
|---------------------------------|-----------------|
| | LCD Cart |
| LCD Size Support (in) | 24 |
| LCD Weight Support (lbs) | 10.0 |



HI-CORE ALL-IN-ONE CART

The HI-Core All-In-One Cart configuration is compact and efficient. It provides the optimized platform for your All-In-One computer solution.

- All-In-One Carts are compatible with All-In-Ones up to 20lbs
- VESA monitor mount has tilt, swivel, rotate, and height adjustment
- Adding a battery-powered all-in-one PC to this configuration provides a complete, hot-swappable economic solution

| HI-CORE | |
|---------------------------------|-----------------|
| | AIO Cart |
| LCD Size Support (in) | 24 |
| LCD Weight Support (lbs) | 20.0 |

STORAGE

There are dozens of storage options available for the HI-Core. Choose any security option and any tier configuration.

TIER CONFIGURATIONS



(1) 2-TIER DRAWER



(2) 1-TIER DRAWERS



(1) 1-TIER DRAWER
(1) 2-TIER HANGDOWN DRAWER

SECURITY OPTIONS



DETENT ONLY (NO LOCK)



KEYED LOCK



ELECTRONIC KEYPAD LOCK

- **Detent only specific features:**
 - Interlocking dividers included with each drawer
 - Drawers operate on Releasable Ball Bearing Slides
- **Key locking specific features:**
 - Interlocking dividers included with each drawer
 - Drawers operate on Releasable Ball Bearing Slides
 - Includes (2) keys for lock
- **Keypad operated locking specific features:**
 - Dividers included with all drawers
 - Programmable secure access to storage bins
 - Access to storage via keypad on bin module
 - Independent battery bypass for emergency access (requires 9V battery)
 - Visual indicator for code entry confirmation
 - Supports 1 unique user ID (4 digits)
 - Powered by easily replaceable button cell battery (CR2450)
 - Battery capable of up to 100,000 operations

KEYBOARD TRAYS

The HI-Core can be equipped with a standard keyboard tray or the space-saving slimline keyboard tray.



STANDARD KEYBOARD TRAY

- Max keyboard dimensions (17.8" W x 7.2" D x 1.8" H)
- Mouse tray slides out from beneath keyboard to right or left sides
- Includes mouse pouch with adhesive back to be positioned for optimal convenience
- Includes wrist rest
- Tray height adjusts with cart work surface (27.1" sitting to 39.1" standing)



SLIMLINE KEYBOARD TRAY

- Not Compatible with LCD/SFF or Laptop cart
- Max keyboard dimensions (16" W x 8" D x 1.3" H)
- Includes mouse pouch with adhesive back to be positioned for optimal convenience
- Includes wrist rest
- Tray height adjusts with cart work surface (30.1" sitting to 42.1" standing)

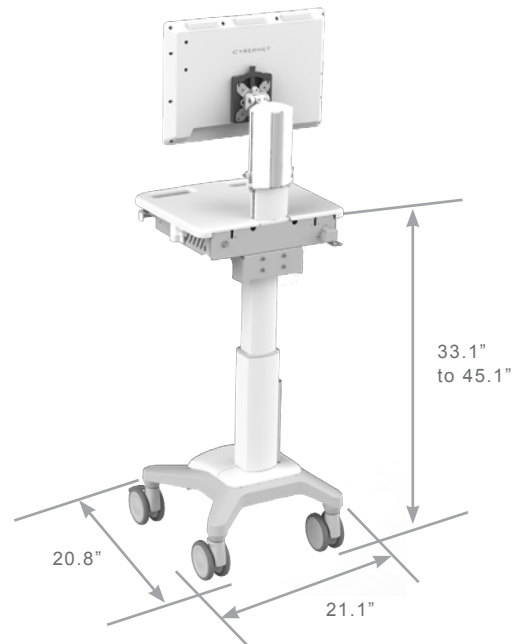


DIMENSIONS

The dimensions and data below is a comparison of the displayed design of HI-Core carts. Contact your local Howard Medical Account Executive for further product dimensions.

OVERALL DIMENSIONS

| | | HI-CORE | | | |
|-------------------------------|-------------------------|---------------|----------|----------|-------------|
| | | Notebook Cart | LCD Cart | AIO Cart | Tablet Cart |
| *Cart Weight (lbs) | Non-Powered | 70.0 | 92.0 | 100.0 | 76.0 |
| | Powered | 101.0 | 124.0 | 132.0 | 108.0 |
| Overall Dimensions (in) | Width | 21.1 | 21.1 | 21.1 | 21.1 |
| | Depth | 20.8 | 20.8 | 20.8 | 20.8 |
| Work Surface Assembly (in) | Width | 21.1 | 21.1 | 21.1 | 21.1 |
| | Depth | 17.6 | 17.6 | 17.6 | 17.6 |
| | Height | 4.2 | 4.2 | 4.2 | 4.2 |
| Work Surface Height Adj. (in) | Min | 33.1 | 33.1 | 33.1 | 33.1 |
| | | 45.1 | 45.1 | 45.1 | 45.1 |
| Height Adj. Range (in) | | 12.0 | 12.0 | 12.0 | 12.0 |
| Writing Surface Size | Width (in) | 21.1 | 21.1 | 21.1 | 21.1 |
| | Depth (in) | 11.3 | 11.3 | 11.3 | 11.3 |
| | Area (ft ²) | 1.7 | 1.7 | 1.7 | 1.7 |
| Base Footprint (in) | Width | 19.0 | 19.0 | 19.0 | 19.0 |
| | Depth | 19.8 | 19.8 | 19.8 | 19.8 |
| Caster Size (in) | | 5.0 | 5.0 | 5.0 | 5.0 |



* weight with Howard Powermax 150 and 38 Wh battery

| PC COMPARTMENT | | |
|----------------|--------|------|
| PC Volume (in) | Width | 17.0 |
| | Depth | 9.6 |
| | Height | 3.5 |



KEYBOARD TRAY DIMENSIONS

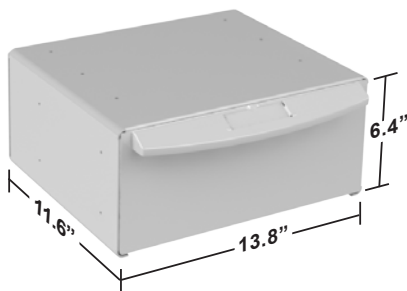


| STANDARD KEYBOARD TRAY | | |
|-----------------------------------|---------------|------|
| Keyboard Support (in) | Width | 17.8 |
| | Depth | 7.2 |
| | Height | 1.8 |
| Keyboard Height Adj. (in) | Min | 27.1 |
| | Max | 39.1 |
| Keyboard Tray Weight (lbs) | | 11.5 |
| Mouse Tray Size (in) | Width | 7.8 |
| | Depth | 7.3 |

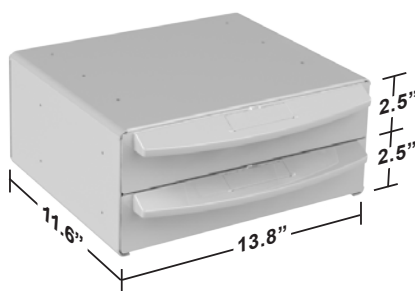


| SLIMLINE KEYBOARD TRAY | | |
|-----------------------------------|---------------|------|
| Keyboard Support (in) | Width | 16.6 |
| | Depth | 7.1 |
| | Height | 1.8 |
| Keyboard Height Adj. (in) | Min | 30.6 |
| | Max | 42.6 |
| Keyboard Tray Weight (lbs) | | 6.0 |
| Mouse Tray Size (in) | Width | 7.2 |
| | Depth | 6.0 |

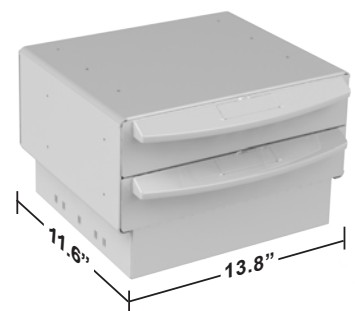
STORAGE DIMENSIONS



(1) 2-TIER DRAWER



(2) 1-TIER DRAWERS



(1) 1-TIER DRAWER
(1) 2-TIER HANGDOWN DRAWER

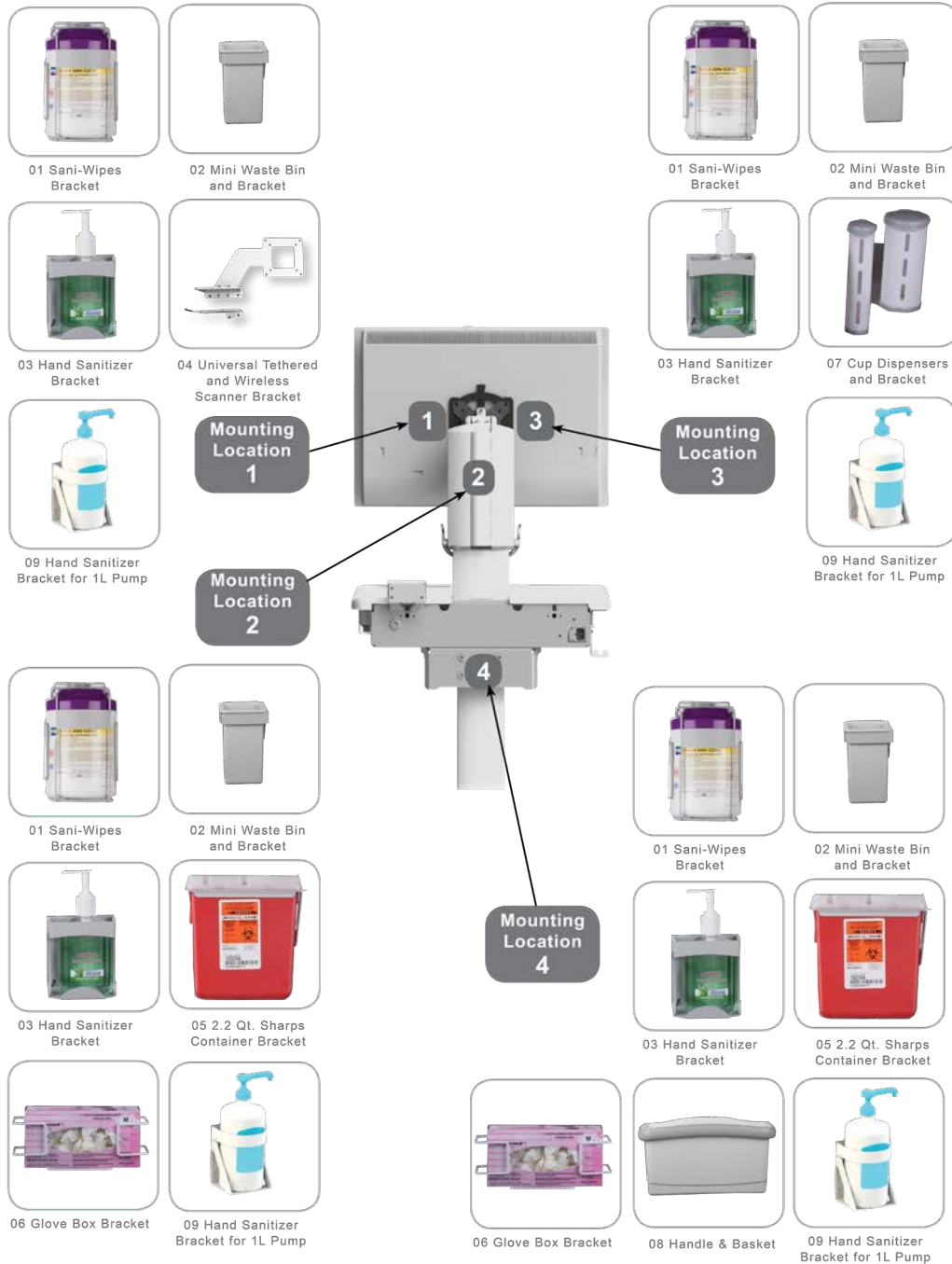
| HI-CORE | | |
|-------------------------------|----------------------|------|
| Drawer Dimensions (in) | 1-Tier Height | 2.5 |
| | 2-Tier Height | 5.4 |
| | Depth | 10.9 |
| | Width | 12.2 |

| HI-CORE | | |
|--------------------------------------|---------------|------|
| Non-Locking Cabinet Size (in) | Width | 13.8 |
| | Depth | 11.6 |
| | Height | 6.4 |
| Locking Cabinet Size (in) | Width | 16.6 |
| | Depth | 11.3 |
| | Height | 6.4 |



ACCESSORY OPTIONS

Howard offers several accessory mounting options and configurations that provide a smoother and more sanitary work flow. With hundreds of options and configurations available, you can tailor your cart to best fit your facility's needs and applications.



accessory options may vary between carts
 mounting locations are not available for all Howard carts



01 Sani-Wipes Bracket



02 Mini Waste Bin and Bracket



03 Hand Sanitizer Bracket



05 2.2 Qt. Sharps Container Bracket



06 Glove Box Bracket



08 Handle & Basket



09 Hand Sanitizer Bracket for 1L Pump

HI-Core Notebook Cart accessories



POWER OPTIONS

HOWARD POWERMAX 150



38 AH BATTERY

- 3-year lithium iron phosphate battery defect
- 3-year lithium iron phosphate battery performance
- 3-year or 3000 cycles, (battery will maintain 50% or greater of charging capacity)
- 5-year optional upgrades available
- 38 Ah / 491 Wh lithium iron phosphate battery
- 150W inverter
- Run time: 8.5 hr (full charge to 0% charge)
- Battery life expectancy: 5+ years



44 AH BATTERY

- 3-year lithium iron phosphate battery defect
- 3-year lithium iron phosphate battery performance
- 3-year or 3000 cycles, (battery will maintain 50% or greater of charging capacity)
- 5-year optional upgrades available
- 44 Ah / 573 Wh lithium iron phosphate battery
- 150W inverter
- Run time: 10 hr (full charge to 0% charge)
- Battery life expectancy: 5+ years



51 AH BATTERY

- 3-year lithium iron phosphate battery defect
- 3-year lithium iron phosphate battery performance
- 3-year or 3000 cycles, (battery will maintain 50% or greater of charging capacity)
- 5-year optional upgrades available
- 51 Ah / 655 Wh lithium iron phosphate battery
- 150W inverter
- Run time: 11.5 hr (full charge to 0% charge)
- Battery life expectancy: 5+ years

HOT SWAP POWER

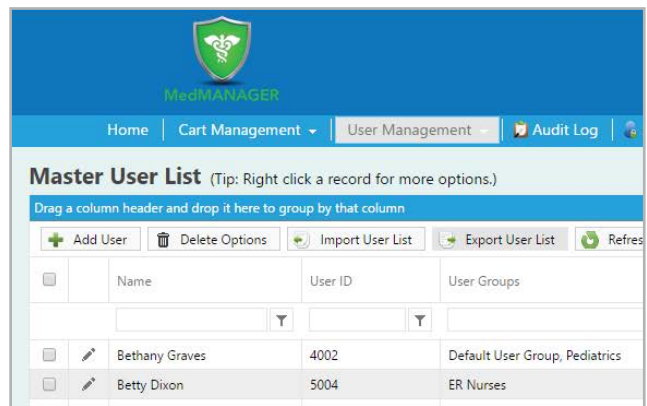
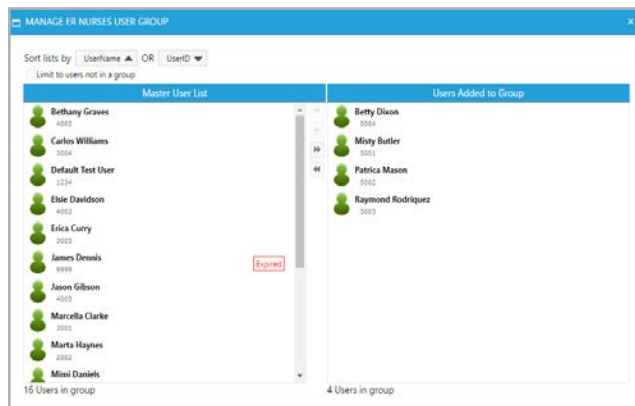


25 AH BATTERY HOT SWAP

- Battery can be hot-swapped with another fully charged battery
- 3-year lithium iron phosphate battery defect
- 3-year lithium iron phosphate battery performance
- 3-year or 3000 cycles, (battery will maintain 50% or greater of charging capacity)
- 5-year optional upgrades available
- 25 Ah / 330 Wh lithium iron phosphate battery
- 150W inverter
- Adds 4lbs to cart weight
- Run time: 5.5 hr (full charge to 0% charge)
- Battery life expectancy: 5+ years (assumed with extra battery usage)

CART SOFTWARE

Howard's specialized Software Solutions help you manage your assets more effectively by optimizing cart performance and maximizing availability. With features such as remote monitoring and configuration, as well as data and event logging, you have instant access to vital information about cart power and medication dispense systems.



MED MANAGER

Med Manager is a powerful web based tool for remote management of cart settings and med drawer access permissions on your entire fleet of Howard Medical carts. The application runs as a web service allowing easy access by an administrator anywhere on your network via a web browser. Carts on your network will automatically "call home" to Med Manager, announce themselves and request to be managed and then periodically "call home" to check for new data. Med Manager provides administrators detailed control over cart behavior and user permissions individually or in groups. Data from carts throughout your fleet is continuously pushed up to and stored in Med Manager for later review including general cart configuration data and detailed information about who accessed which drawers and when. Robust data mining and reporting tools are available to analyze cart, user, and med drawer access data or you can export the data for further analysis by 3rd party tools. Med Manager also keeps track of the last two wireless access points used by each cart to "call home" thus providing a simple way to track recent movement of carts and to determine the last known location of carts that have gone offline. Med Manager can be used with all Howard carts that include electronic locking storage and can be used with X series carts with or without storage.

for more information about our software solutions, please contact us at 1.888.912.3151





MED DISPLAY

Med Display is a Windows application that runs on the local computing device on each cart providing direct access to local med drawer cabinets, cart settings, audit records, and drawer calibration. The Med Display background service, which is transparent to local users, handles communication with Med Manager and periodically “calls home” to report any new audit data and retrieve any pending cart updates.



WARRANTY

Howard Medical's commitment to providing unmatched customer service and support continues long after a sale is final. Our technology staff provides 24/7 technical support (excluding US holidays) for as long as you own your Howard product. Our friendly, US-based team of experts will answer your questions about the product, hardware setup, or installation, and with telephone hold times of typically less than a minute.



Standard Limited Warranty on Powered Medical Carts:

- 3-year standard warranty
- 3-year mechanical
- 3-year electrical
- 3-year lithium phosphate battery defect
- 3-year lithium phosphate battery performance

Standard Limited Warranty on Non-Powered Medical Carts:

- 3-year standard warranty
- 3-year mechanical

Upgraded Limited Warranty on Powered Medical Carts:

- 5-year mechanical
- 5-year electrical
- 5-year lithium phosphate battery defect
- 5-year lithium phosphate battery performance

Fixed Solutions:

- 5-years on wall-mounted arms
- 3-years on wall-mounted cabinet

Computers and Other Peripheral Devices:

- See manufacturer's warranty

PROFESSIONAL SERVICES

The Howard Medical Professional Services Team has technical specialists nationwide and is known as one of the industry's premier service providers, with a history of successfully serving clients for more than a decade. Our dedicated employees are completely focused on customer satisfaction, giving Howard Medical the resources to provide a solution that is just right for you. Whether your project is large or small, single-site or across multiple facilities, you can trust our experience to work for you!



Deployment Consultation



In-Service Training



Technical Integration & Setup
Training / Consultation



On-Site Setup and Integration



On-Site Repair



Preventative Maintenance

We Also Offer:

- Complete In-Factory Integration
- Technical Training
- Equipment Cleaning With Disinfectants
- Service Level Agreement
- Battery Replacement Program
- Product Removal and Recycling
- Technology Installation
- Annual Fleet Audit
- In-Factory Imaging
- White-Glove Delivery With Trash Removal





WE ALSO OFFER:

COMPUTING SOLUTIONS

AUDIOVISUAL SOLUTIONS

NETWORKING INFRASTRUCTURE SOLUTIONS

VIRTUALIZATION

PHYSICAL SECURITY

KIOSKS & DIGITAL SIGNAGE

SOFTWARE SOLUTIONS

PROFESSIONAL SERVICES

E-COMMERCE & ACCESSORIES

POINT-OF-CARE SOLUTIONS & TECHNOLOGY

TELEHEALTH SOLUTIONS



REDEFINING HEALTHCARE TECHNOLOGY

CONNECT WITH US



General Information
Toll Free: 1.888.912.3151

Web
www.howard.com
Live chat available M-F, 8-5 CST

Customer & Technical Support
Toll Free: 1.888.323.3151
24/7 (excluding US holidays)